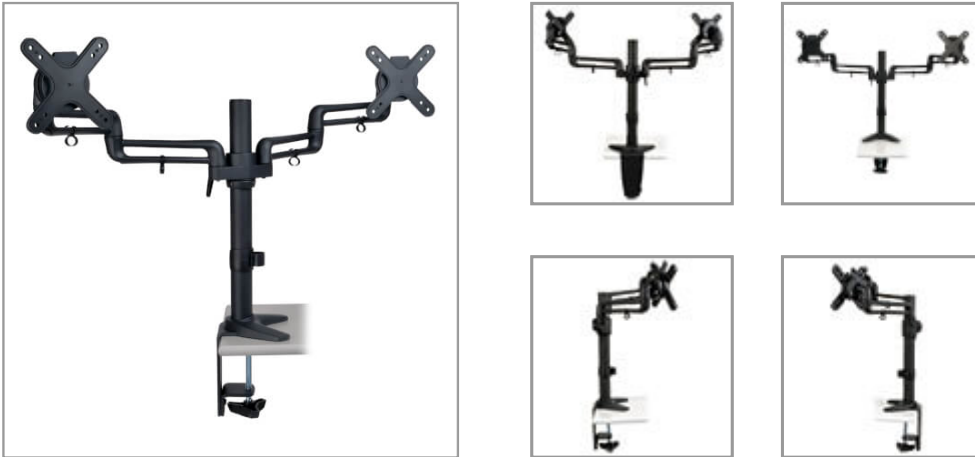


Dual Full Motion Flex Arm Desk Clamp for 13" to 27" Monitors

MODEL NUMBER: DDR1327SDFC



Mounts 2 monitors off the surface of your desk, table or workstation to free up valuable space. Tilts from -15° to +15°. Ideal for home or office use.

Description

The VESA-compliant DDR1327SDFC Dual Full Motion Flex Arm Desk Clamp attaches to your desk, table or workstation, allowing you to mount two monitors above it and free up valuable workspace. Ideal for home and office, the DDR1327SDFC fits most flat-panel displays from 13 to 27 inches. Dual swivel arms can be independently adjusted for angle to give you maximum flexibility in positioning your monitors to fit your environment and comfort level. Move a screen closer to you, or push both screens out of your way when not in use. A 180° swivel and -15° to +15° tilt capability minimizes glare and provides comfortable viewing from multiple angles. A 360° rotation lets you view your monitors in portrait or landscape orientation. Durable clamp attaches to most flat surfaces up to 3.5 inches thick for a firm grip, or install it using a desk hole up to 2.75 inches in diameter. Each swivel arm supports up to 22 lbs (9.9 kgs). The durable all-metal frame with scratch-resistant powder-coated finish tolerates frequent handling and blends with any décor. Mounting hardware is included. Conforms to VESA-compliant displays with any of the following mounting hole patterns: 75 x 75 mm, 75 x 100 mm, 100 x 75 mm, and 100 x 100 mm.

Features

Attaches to Most Desks, Tables and Workstations Clamps securely to most flat surfaces from 0.4 in. to 3.5 in. Fits most flat-panel displays from 13 to 27 in. Dual swivel arms adjust independently for angle ideal for home and office use

Convenient One-Touch Adjustment 180° swivel and -15° to +15° tilt capability provides comfortable viewing from multiple angles Full 360° rotation for viewing in portrait or landscape orientation

Durable Metal Construction Each swivel arm supports up to 22 lbs (9.9 kgs) Scratch-resistant powder-coated finish blends with any décor Mounting hardware included Display cables attach to mount to reduce clutter

VESA Compliance Supports the following VESA mounting hole patterns: 75 x 75 mm, 75 x 100 mm, 100 x 75 mm, and 100 x 100 mm

Specifications

Highlights

- Fits most flat-panel displays from 13 to 27 in.
- One-touch adjustment for comfortable viewing
- 180° swivel and -15° to +15° tilt for wide range of motion
- Each swivel arm supports up to 22 lbs (9.9 kgs)

Package Includes

- Adapter bracket assembly
- Pole
- Desk clamp assembly
- (8) M4 screws
- (8) M5 screws
- (8) D5 washers
- Base plate
- Pad
- Hex key, 3 mm
- Hex key, 4 mm
- Owner's manual



Powering Business Worldwide



OVERVIEW	
UPC Code	037332184863
Device Compatibility	Monitor/HDTV
PHYSICAL	
Color	Black
Material of Construction	Steel
VESA Pattern (mm)	100x100; 100x75; 75x100; 75x75
Motion	Full
Mounting Location	Desk Clamp
Degrees of Motion	-15/+15 Tilt; 180 Swivel; 360 Rotate
Minimum Screen Size (in.)	13
Minimum Screen Size (cm)	33.02
Maximum Screen Size (in.)	27
Maximum Screen Size (cm)	68.58
Maximum Weight Capacity (lbs.)	22
Maximum Weight Capacity (kg)	10
Number of Displays	2
Shipping Dimensions (hwd / in.)	9.00 x 8.20 x 17.80
Shipping Dimensions (hwd / cm)	22.86 x 20.83 x 45.21
Shipping Weight (lbs.)	10.80
Shipping Weight (kg)	4.90
Unit Dimensions (hwd / in.)	20.080 x 33.620 x 4.530
Unit Dimensions (hwd / cm)	51 x 85,39 x 11,51
Unit Weight (lbs.)	7.7
Unit Weight (kg)	3.49
FEATURES & SPECIFICATIONS	
Cord Management	Yes
Tools Necessary	Yes
Security Lock	No
STANDARDS & COMPLIANCE	
Product Compliance	RoHS
WARRANTY & SUPPORT	



Powering Business Worldwide



Product Warranty Period (Worldwide)	5-year limited warranty
--	-------------------------

1000 Eaton Boulevard
Cleveland, OH 44122
United States
<https://tripplite.eaton.com>

© 2024 Eaton. All Rights Reserved.
Eaton is a registered trademark. All other trademarks
are the property of their respective owners.